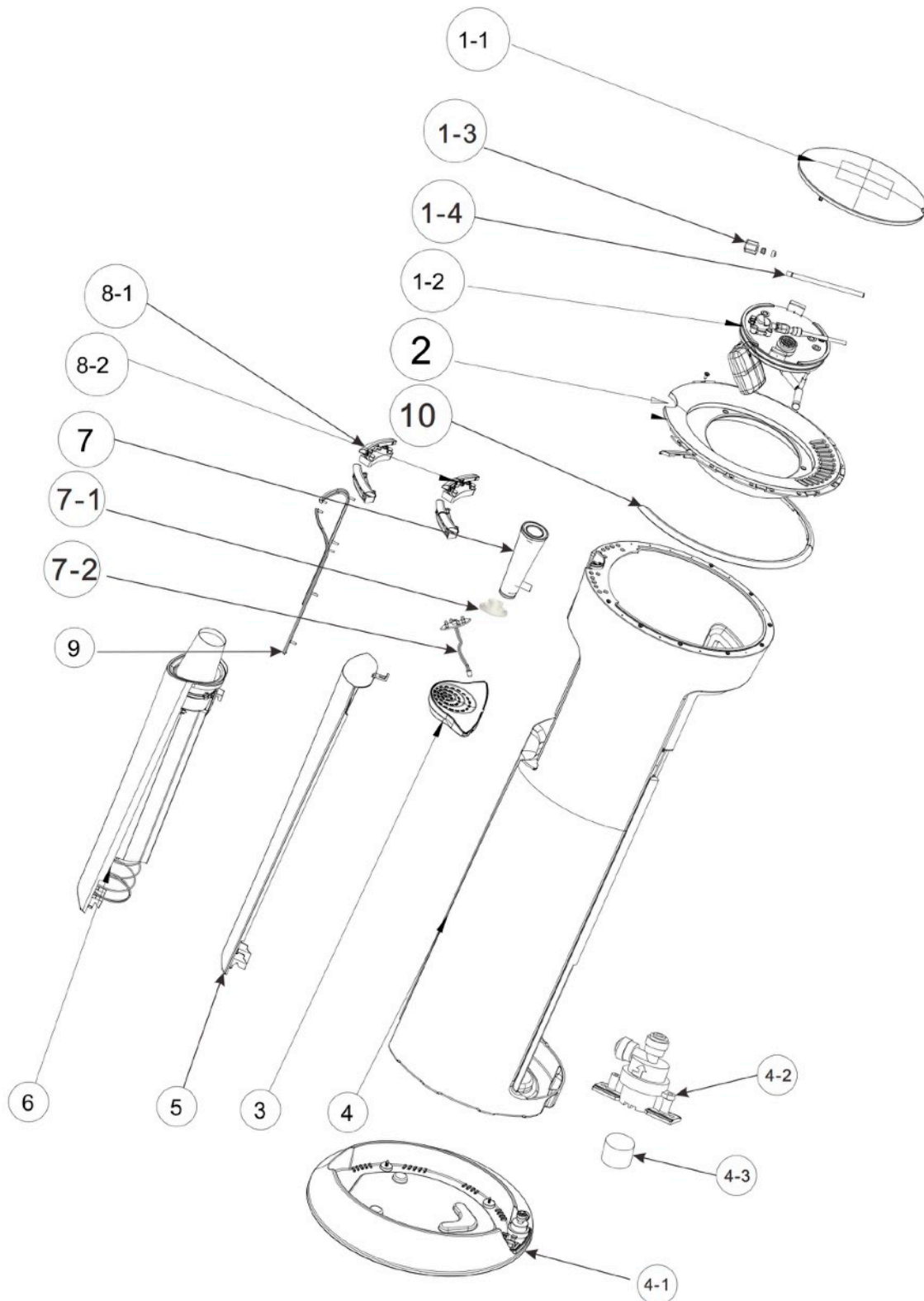


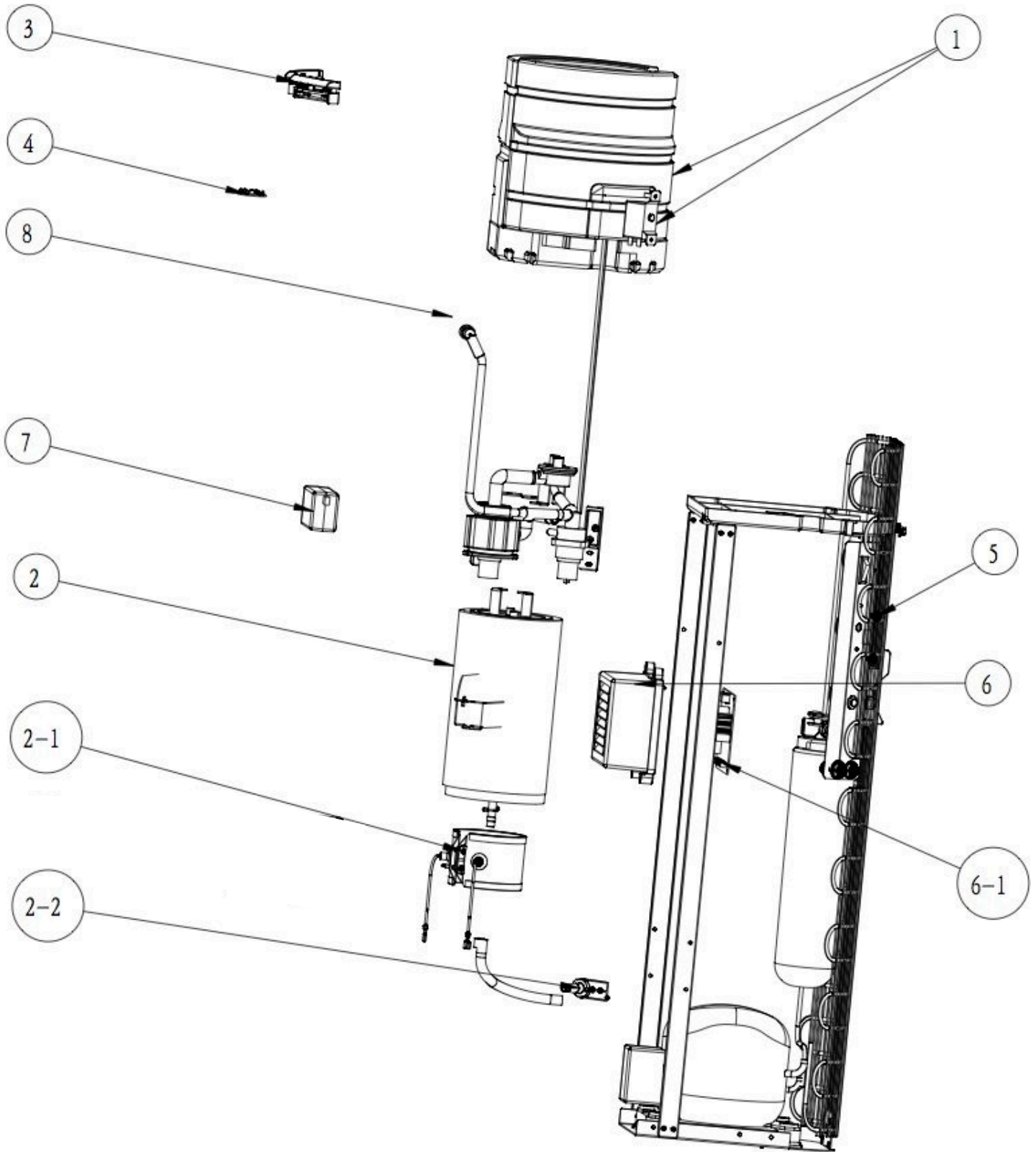
Cooler Cabinet

2014



<b>Nexus FS Point of Use Cabinet</b>		
<b>Item #</b>	<b>Part Number</b>	<b>Description</b>
1	97111B	Float Kit Assembly for Nexus FS POU (Cover,Float & Regulator) - Black
1	97111W	Float Kit Assembly for Nexus FS POU (Cover, Float & Regulator) - White
1-1	90111B	POU Top Cover - Black
1-1	90111W	POU Top Cover - White
1-2	97028A	Float Kit Assembly with Diffuser Group for SIP Equipped Nexus
1-3	89249	Jaco Replacement Fitting, 3 pieces (Nut, Ferrel, Gripper)
2	97002B	Top Bracket Assembly w/ Screws (18 pcs.) - Black
2	97002W	Top Bracket Assembly w/ Screws (18 pcs.) - White
3	97003B	Drip Tray Assembly (Drip Tray & Drip Tray Cover) - Black
3	97003W	Drip Tray Assembly (Drip Tray & Drip Tray Cover) - White
4	97004B	Cabinet Assembly (Cabinet, Back Nozzle Assembly, Left/Right Chrome, Base Screw, Supporter Bracket, etc.) - Black
4	97004W	Cabinet Assembly (Cabinet, Back Nozzle Assembly, Left/Right Chrome, Base Screw, Supporter Bracket, etc.) - White
5	97140B	Bottom ABS Panel w/ Screw - Black
5	97140W	Bottom ABS Panel w/ Screw - White
6	97141B	Cup Dispenser w/ Screw - Black
6	97141W	Cup Dispenser w/ Screw - White
7	97005B	Front Water Dispense Nozzle Assembly, Black (Water Button, Chrome Cover, Nozzle Waterway, Nozzle, O-Ring)
7	97005W	Front Water Dispense Nozzle Assembly, White (Water Button, Chrome Cover, Nozzle Waterway, Nozzle, O-Ring)
7-1	97050	Nozzle Ring, Clear
7-2		
8	97030	Button Set (Left/Right Top Chrome, 4-Piece Button Set, 8-1 & 8-2)
9	97007	Chrome Trim Set (Left/Right)
N/A	91001B-A	Support base with recess for leak detector - Black
N/A	91001W-A	Support base with recess for leak detector - White

# Cooler Internals



<b>Nexus FS Point of Use Internals</b>		
<b>Item #</b>	<b>Part Number</b>	<b>Description</b>
1	97008	Cold Tank Assembly (Tank, Evaporator, Baffle, Nut, Polyfoam, NTC)
2	97009	Hot Tank Assembly (Tank, Heat Band, Thermostat, Insulation, Drain Assembly)
2-1	89857	Heat Band Assembly
2-2	90097	Hot Tank Drain Assembly
3	97010	Button Switches (H&C Switches, PCB, Wire, Screw, Housing, Silicone Switch)
4	97011	Water Outlet PCB & Switch
5	97012	Structure (Mid-Pan, Struts, Condenser, Handle, Base, * Screws, Washer, Compressor, Switch Plate, & Labels)
6	97013	Main PCB (Plastic Housing, 4 Screws)
6-1	97017	Main PCB
7	97014	Switching Power Supply
8	97015	Waterways (Solenoid & Waterways)